

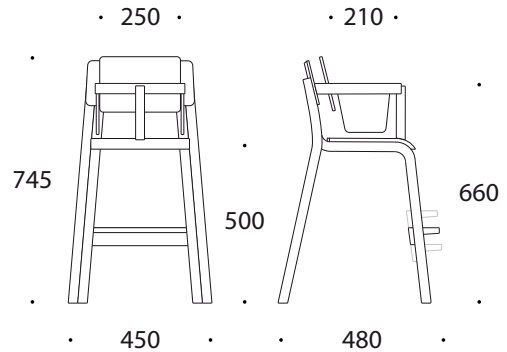


16 MINI 50 CM, WITH SAFETY BAR 2



Children's high chair with safety bar. Extra backrest on safety bar support the child's correct body position. Children's high chair 16 mini 50cm with safety bar complies with the standard EN 14988:2017+A1:2020.

- * material birch plywood
- * finished in natural polished varnish
- * safety bar is removable with allen key
- * height adjustable footrest (3 levels)
- * felt floor glides
- * weight 6,2 kg



The product is intended for children able to sit up unaided and up to 3 years or a maximum weight of 15kg.

ADDITIONAL OPTIONS

- * plastic floor glides



Safety bar with an extra back support



Height adjustable footrest 3 levels