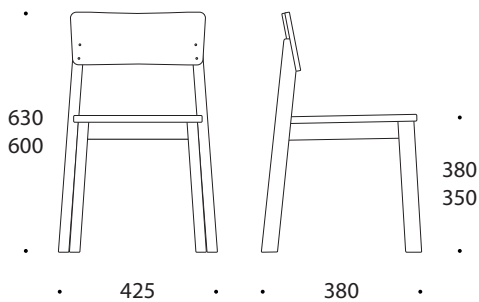




12 MINI WITH LAMINATE

Stackable chair for a playgroup or primary school. Material birch solid wood and plywood. Available in seat height 35 and 38cm.

- * frame birch solid wood; seat and backrest birch plywood
- * wooden parts are finished in natural polished varnish
- * seat and backrest with laminate
- * plastic floor glides
- * stackable
- * weight 3,6 kg



ADDITIONAL OPTIONS

- * with armrest
- * chair can be hung under a table (accessory of tables)
- * felt floor glides



12 mini with armrest



Chair can be hung under a table

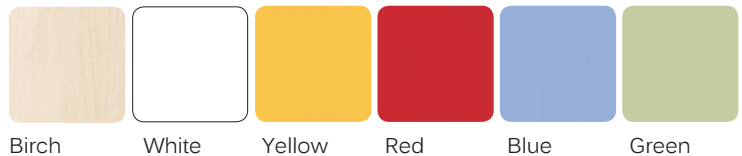


Stackable

LAMINATE is a surface material which is used on furniture details that demand high resistance.

Children's chair has laminated backrest and seat. It is possible to choose among birch imitation laminate or colored laminate. Laminate is wearproof, durable to scratches and bumps. Surface is easy to clean. As laminate is sunfast, the colorful appearance of the chair stays changeless for years.

PIXNER STANDARD LAMINATES



OTHER PRODUCTS OF THIS GROUP



Table 120x60cm, height 64; 59 cm, with solid wood legs



12 mini



12 mini 50cm, with laminate



12 mini 50cm, with safety bar