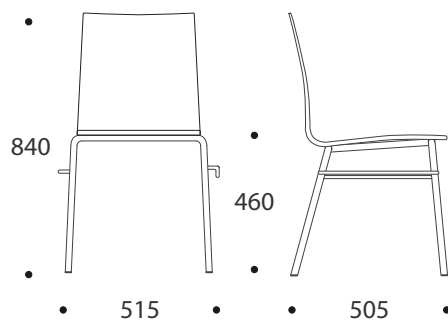


# CHAIR 74, UPHOLSTERED, WITH ROW LINKING

Easy to connect or disconnect chairs for school halls or conference rooms.

- Material of the seat birch plywood
- Plywood is finished in natural polished varnish
- Seat and backrest upholstered separately
- Frame Ø19mm
- Frame covered with powder paint, tone RAL 9006
- Legs include felt floor glides
- Chairs are tightly stackable
- Weight 6,8 kg



## STANDARD COLOURS



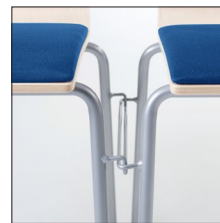
BIRCH



RAL 9006



Stackable on floor  
max 4 chairs



Row linking



Trolley

## FABRICS

- Bondai (150000 Martindale)
- Fighter (130000 Martindale)
- Advantage (90000 Martindale)
- Relax Flex (100000 Martindale)

## OPTIONAL EQUIPMENT

- Trolley for chairs  
(on one trolley go 10 chairs)

## ADDITIONAL FINISHING OPTIONS

- additional finishing options of plywood  
(MOQ 50 chairs)



SURFACE  
OAK

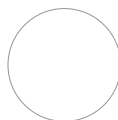


STAINED  
WHITE



STAINED  
BLACK

- additional options of frame tones  
(MOQ 50 chairs)



RAL 9016



RAL 9005



RAL 7022